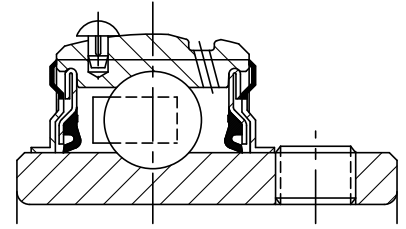
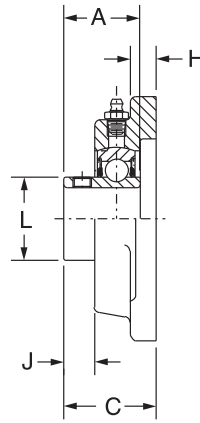
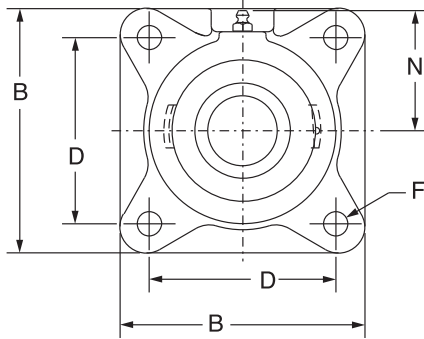




# SELECTION/DIMENSIONS

## Setscrew Ball Bearings SCM MEDIUM DUTY 4-BOLT FLANGE BEARINGS

**Lube Fitting Thread Size:**  
 203 - 204 series - 1/4-28 tapered thread  
 207 - 207 series - 1/8-27 NPT



Series	Shaft Size	Standard		No-Lube/Sealed for Life (-NL)	
		Part No.	Description	Part No.	Description
206	1	<b>126226</b>	F4B-SCM-100	<b>052017</b>	F4B-SCM-100-NL
	25mm	<b>125965</b>	F4B-SCM-25M	@	F4B-SCM-25M-NL
207	1-3/16	<b>126227</b>	F4B-SCM-103	<b>056907</b>	F4B-SCM-103-NL
	1-1/4	<b>124206</b>	F4B-SC-104	<b>126528</b>	F4B-SC-104-NL
	30mm	<b>125966</b>	F4B-SCM-30M	@	F4B-SCM-30M-NL
208	1-7/16	<b>126187</b>	F4B-SCM-107	<b>062842</b>	F4B-SCM-107-NL
	35mm	<b>125967</b>	F4B-SCM-35M	@	F4B-SCM-35M-NL
209	1-1/2	<b>126188</b>	F4B-SCM-108	<b>062897</b>	F4B-SCM-108-NL
	1-5/8	<b>125170</b>	F4B-SC-110L	@	F4B-SC-110L-NL
	40mm	<b>125968</b>	F4B-SCM-40M	@	F4B-SCM-40M-NL
210	1-11/16	<b>126189</b>	F4B-SCM-111	<b>065576</b>	F4B-SCM-111-NL
	1-3/4	<b>126190</b>	F4B-SCM-112	@	F4B-SCM-112-NL
	45mm	<b>125969</b>	F4B-SCM-45M	@	F4B-SCM-45M-NL
211	1-15/16	<b>126191</b>	F4B-SCM-115	<b>052302</b>	F4B-SCM-115-NL
	2	<b>126192</b>	F4B-SCM-200	<b>052004</b>	F4B-SCM-200-NL
	50mm	<b>125970</b>	F4B-SCM-50M	<b>073950</b>	F4B-SCM-50M-NL
212	2-3/16	<b>126193</b>	F4B-SCM-203	<b>052003</b>	F4B-SCM-203-NL
	2-1/4	<b>126283</b>	F4B-SCM-204	<b>126537</b>	F4B-SCM-204-NL
	55mm	<b>125971</b>	F4B-SCM-55M	@	F4B-SCM-55M-NL
214	2-7/16	<b>126194</b>	F4B-SCM-207	<b>052002</b>	F4B-SCM-207-NL
	2-1/2	<b>126195</b>	F4B-SCM-208	<b>065653</b>	F4B-SCM-208-NL
	65mm	<b>125972</b>	F4B-SCM-65M	@	F4B-SCM-65M-NL
215	2-11/16	<b>126186</b>	F4B-SCM-211	<b>052205</b>	F4B-SCM-211-NL
	70mm	<b>125973</b>	F4B-SCM-70M	@	F4B-SCM-70M-NL
216	2-15/16	<b>126196</b>	F4B-SCM-215	<b>126538</b>	F4B-SCM-215-NL
	3	<b>126197</b>	F4B-SCM-300	<b>126539</b>	F4B-SCM-300-NL
	75mm	<b>125974</b>	F4B-SCM-75M	@	F4B-SCM-75M-NL
218	3-7/16	<b>126198</b>	F4B-SCM-307	<b>126540</b>	F4B-SCM-307-NL
	3-1/2	<b>126199</b>	F4B-SCM-308	<b>126541</b>	F4B-SCM-308-NL
	85mm	<b>125975</b>	F4B-SCM-85M	@	F4B-SCM-85M-NL

@ Assembled to order

FEATURES/BENEFITS PAGE B4-3	HOW TO ORDER/NOMENCLATURE PAGE B4-5	SELECTION PAGE B4-6	ACCESSORIES PAGE B4-98
--------------------------------	--	------------------------	---------------------------

# SELECTION/DIMENSIONS



## Setscrew Ball Bearings SCM MEDIUM DUTY 4-BOLT FLANGE BEARINGS

Bearing Reference Guide

ULTRA KLEEN

E-Z KLEEN

Extreme Duty

Setscrew Ball Bearing

GRIP TIGHT

D-LOK Ball Bearing

Series	Shaft Size	Weight lbs. kgs.	A	B	C	D	F	H	J	L	N
206	1	3.0	1.52	4.25	1.56	3.25	7/16	0.50	0.49	1.57	2.19
	25mm	1.3	38.6	108.0	39.6	82.6	M10	12.7	12.4	39.9	55.6
207	1-3/16	4.1	1.71	4.75	1.75	3.63	1/2	0.56	0.53	1.84	2.44
	1-1/4 30mm	4.0 1.4	43.4	120.7	44.5	92.1	M12	14.2	13.5	46.7	62.0
208	1-7/16	5.0	1.94	5.13	1.98	4.00	1/2	0.56	0.63	2.05	2.38
	35mm	2.1	49.3	130.3	50.3	101.6	M12	14.2	16.0	52.1	60.5
209	1-1/2	6.1	1.94	5.38	1.99	4.13	1/2	0.63	0.59	2.22	2.75
	1-5/8 40mm	6.1 2.7	49.3	136.7	50.5	104.8	M12	16.0	15.0	56.4	69.9
210	1-11/16	7.1	1.94	5.63	2.02	4.38	1/2	0.63	0.55	2.43	2.88
	1-3/4 45mm	6.9 3.0	49.3	143.0	51.3	111.1	M12	16.0	14.0	61.7	73.2
211	1-15/16	9.5	2.22	6.50	2.28	5.13	5/8	0.69	0.68	2.71	3.25
	2 50mm	9.3 4.1	56.4	165.1	57.9	130.2	M16	17.5	17.3	68.8	82.6
212	2-3/16	11.3	2.31	6.88	2.38	5.63	5/8	0.69	0.66	2.97	3.50
	2-1/4 55mm	11.1 6.0	58.7	174.8	60.5	142.9	M16	17.5	16.8	75.4	88.9
214	2-7/16	16.2	2.54	7.38	2.78	5.88	5/8	0.69	0.60	3.31	3.69
	2-1/2 65mm	16.0 7.3	64.5	187.5	70.6	149.2	M16	17.5	15.2	84.1	93.7
215	2-11/16	18.3	2.33	7.75	2.88	6.00	3/4	1.00	0.63	3.62	3.88
	70mm	8.0	59.2	196.9	73.2	152.4	M18	25.4	16.0	91.9	98.6
216	2-15/16	21.5	2.38	7.75	3.09	6.00	3/4	0.88	0.59	3.83	4.09
	3 75mm	21.2 9.4	60.5	196.9	78.5	152.4	M18	22.4	15.0	97.3	103.9
218	3-7/16	28.0	2.56	8.44	3.38	6.75	3/4	1.00	0.60	4.35	4.63
	3-1/2 85mm	27.4 12.2	65.0	214.4	85.9	171.5	M18	25.4	15.2	110.5	117.6

FEATURES/BENEFITS PAGE B4-3	HOW TO ORDER/NOMENCLATURE PAGE B4-5	SELECTION PAGE B4-6	ACCESSORIES PAGE B4-98
--------------------------------	--	------------------------	---------------------------